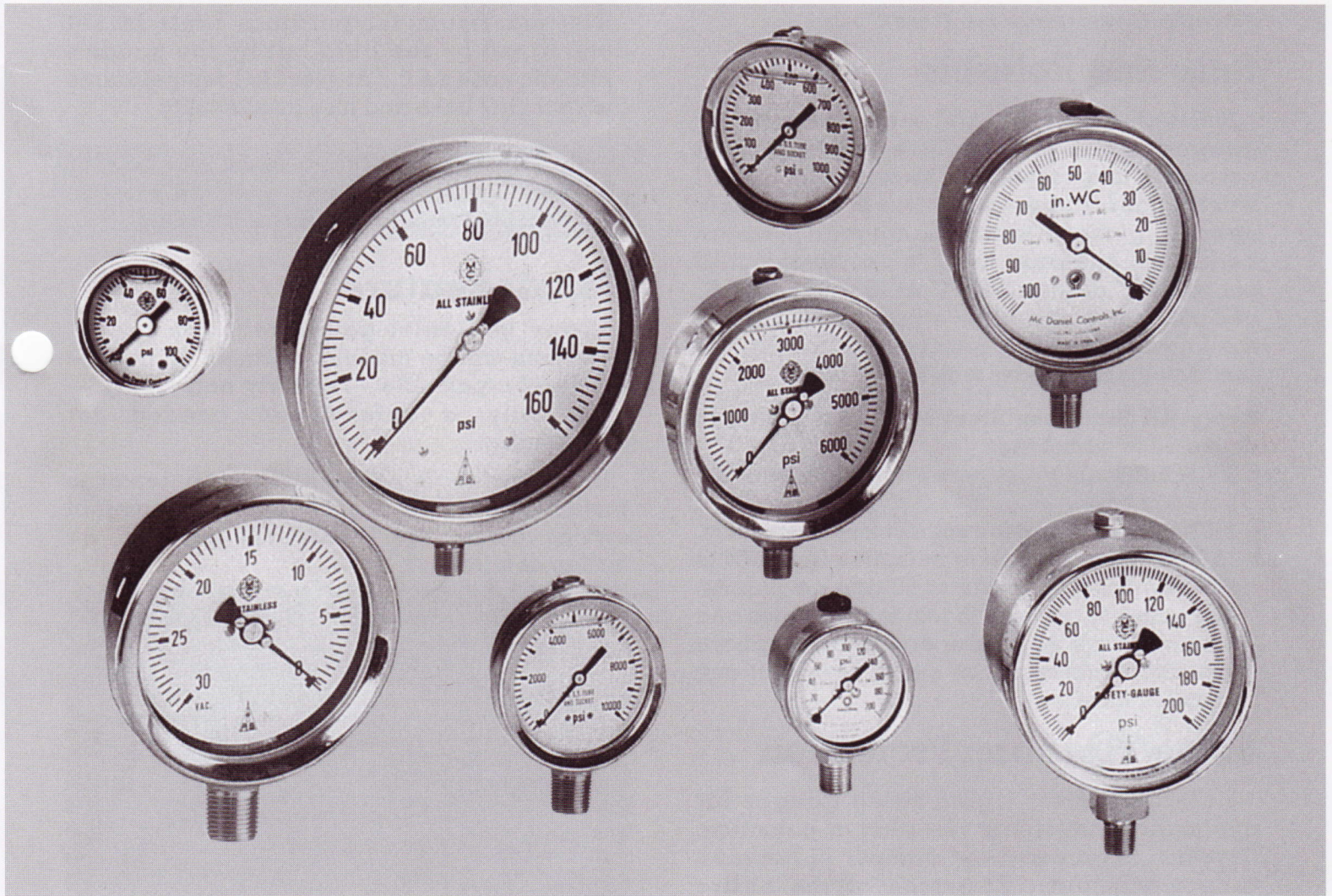


McDaniel

All Stainless Gauges

1 1/2", 2", 2 1/2", 4" and 6"

Safe • Accurate • Reliable • Durable • Guaranteed



Ranges: Pressure, Vacuum, Compound, Receiver 3-15 PSI
1.6 inches of water column up to 60,000 psi



Gauges 1 1/2", 2", 2 1/2", 4" and 6"

Case Styles

- 1 1/2" (40MM) Filled or Fillable**
Model S - 1/8" NPT*
 *STANDARD — Also available in 1/4" NPT on Request. (Center-Back Conn. Only)
- 2" (50MM) Filled or Fillable**
Model Q3 - 1/4" NPT*
 *STANDARD — Also available in 1/8" NPT on Request.
- 2 1/2" (63MM) Filled or Fillable**
Model K - 1/4" NPT*
 *STANDARD — Also available in 1/8" NPT on Request.

- 4" (100MM) Non-Fillable**
Model A - 1/4" NPT
Model C - 1/2" NPT
- 4" (100MM) Filled or Fillable**
Model E - 1/4" NPT
Model G - 1/2" NPT
- 6" (160MM) Non-Fillable**
Model B - 1/4" NPT
Model D - 1/2" NPT
- 6" (160MM) Filled or Fillable**
Model F - 1/4" NPT
Model H - 1/2" NPT

Range Selection * * 1.6" inches of water column to 250" wc available. To order wc, mercury or other pressure calibrations, describe desired range, (rather than use a range code) after specifying code for case size.

Range Code	Range (psi)
3	0 - 3
5	0 - 5
6	0 - 6
10	0 - 10
A	0 - 15
B	0 - 30
C	0 - 60
D	0 - 100
E	0 - 160
F	0 - 200
G	0 - 300
H	0 - 400
I	0 - 600
J	0 - 800
K	0 - 1,000
L	0 - 1,500
M	0 - 2,000

Range Code	Range (psi)
N	0 - 3,000
O	0 - 5,000
6k	0 - 6,000
P	0 - 10,000
Q	0 - 15,000
R	0 - 20,000
30k	0 - 30,000
35k	0 - 35,000
S	30" Hg - 0 Vacuum
T	Receiver 3 - 15 psi
U	Compound 30"Hg-0-15 psi
V	Compound 30"Hg-0-30 psi
W	Compound 30"Hg-0-60 psi
X	Compound 30"Hg-0-100 psi
Y	Compound 30"Hg-0-160 psi
2k	Compound 30"Hg-0-200 psi
Z	Compound 30"Hg-0-300 psi

Choice of Mounting Style

Mountings are specified by using the following suffixes as codes:

- P** = Panel mount/center-back connection (Models S and Q3) Panel mount/lower-back connection (Models A, C, E, G, B, D, F, H, K)
- L** = Lower-back connection* (Models A, C, E, G, B, D, F, H, K)
Center-back connection (Model S)
- C'** = Center-back connection Model Q3 only
- U** = U-Clamp for panel mounting (Center-back on S and Q3)
- R** = Rear flange for wall mounting (2 1/2", 4" and 6" gauges only) (Models A, C, E, G, B, D, F, H, K)

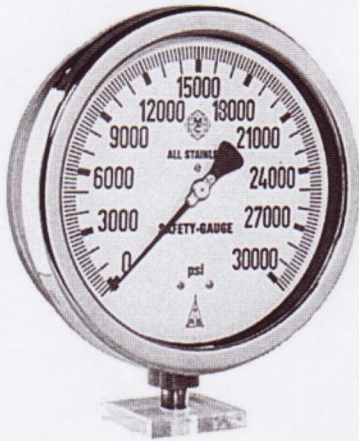
(* Model Q3 center-back connection uses "C" to denote center-back connection not "L")

Special Configuration Adder Codes

- B** = psi/Bar (dual scale)
- K** = psi/kPa (dual scale)
- O** = O₂ (cleaned for oxygen service)
- S** = Solid front/blow-out back case (2 1/2", 4" & 6" gauges only)
- C** = **Model K available with center-back connection by special order for psi ranges.**

(* inches of water column ranges, 4 inch dial models A & C, have center-back connection and still use "L" to designate, not "C")

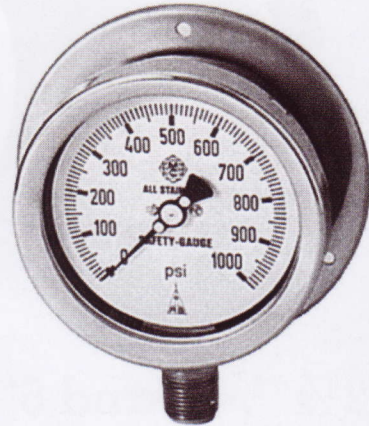
Choice of Mounting Style



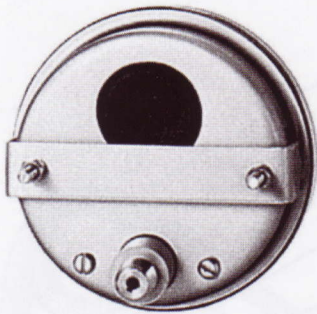
**Standard
Bottom Connection**



**Solid Front/
Blow-out Back (S)**



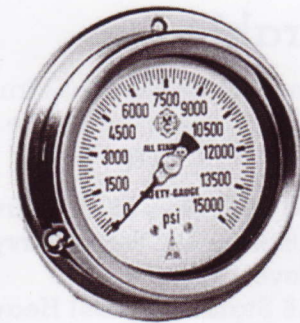
Rear Flange (R)



**U-Clamp
Panel Mount (U)**



Back Connection (L)



**Front Flange
Panel Mount (P)**

Choice of Scale

McDaniel offers from inventory many dual scale ranges. These include psi/kPa with the psi scale primary and kPa secondary; psi/Bar with the psi scale primary and Bar secondary; psi/kg/cm² with psi primary and kg/cm² secondary; kg/cm²/psi with kilograms per cm² primary and psi secondary.

A word about Non-Standard Ranges: McDaniel offers more ranges and special calibrations than any other manufacturer of gauges -- for only a nominal charge if any. Consult your McDaniel distributor.

How to Order by Code Number

1. Select case style.
2. Select pressure range (Describe if requesting inches of water column, mercury, etc.).
3. Add mounting style if other than a standard bottom connection.
4. Add special configurations if needed — either by code or by written description.
5. Add choice of filling, if appropriate:
(GF = Glycerin Filled, SF = Silicone Filled, or FF = Fluorolube Filled)

Example:

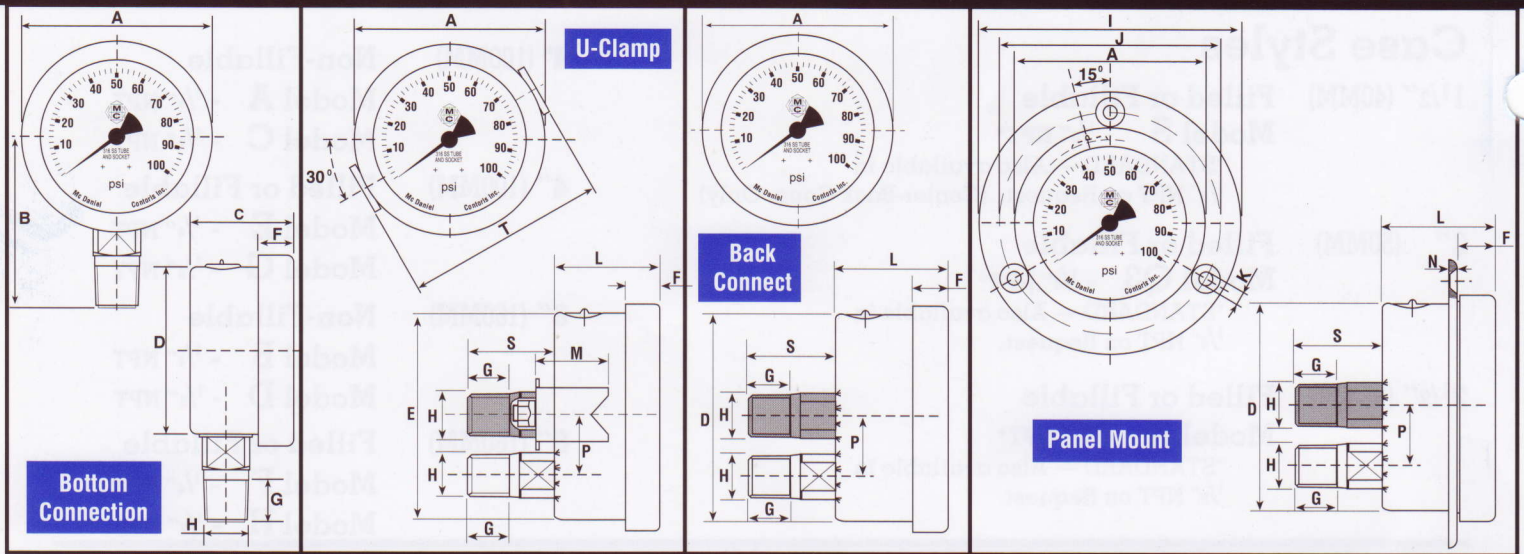
Model	Range Code	Type of Mounting	Special Configuration	Type of Filling
E	6k	P	—	GF

Order:

A 4" sealed gauge with a scale of 0 – 6000 psi, panel mounted/lower-back 1/4" NPT connection, filled at the factory with glycerin (E6kP-GF).



Dimensional Data



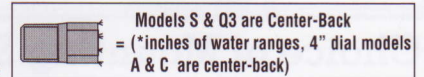
Model	Nominal Size	Case Diameter	A	B	C	D	E	F	G	H	I	J	K	L	M	N	P	S	T
S	1 1/2"	MM 38.5	40	34	28	38.5	41.8	10.6	10	14	61	51	3.6	30	29	0.8	CB	16 ⁽¹⁾	58
		In. 1.52	1.58	1.34	1.10	1.52	1.65	0.42	0.39	0.55	2.40	2.01	0.14	1.18	1.14	0.03	CB	0.63	2.28
Q3	2"	MM 50	56	50 ⁽²⁾	30.5	49	49	10.5	12	14	77	65	4	30.5	22	2.5	CB	20.5 ⁽⁶⁾	59
		In. 2.00	2.20	1.93	1.20	1.92	1.92	0.41	0.47	0.55	3.03	2.56	1.6	1.20	0.89	0.10	CB	0.81	2.32
K	2 1/2"	MM 63	68.5	57	31	62	62	11	15	14	85	75	3.6	37	31	3	8	25	71
		In. 2.48	2.7	2.24	1.22	2.44	2.44	0.43	0.51	0.55	3.3	2.9	0.14	1.46	1.22	0.12	0.71	0.98	2.80
A,C, E,G	4"	MM 100	112	88	48	99	100	17	21.5	22	132	116	4.8	49	39.5	5	34	36 ⁽⁷⁾	110
		In. 3.94	4.41	3.46	1.89	3.9	3.94	0.67	0.85	0.87	5.2	4.57	0.19	1.93	1.56	0.2	1.34	0.59	4.33
B,D, F,H	6"	MM 160	173	117 ⁽³⁾	49.5	160	160	17	21.5 ⁽⁴⁾	22	196	178	5.8	56	38	4	52	43 ⁽⁵⁾	172
		In. 6.30	6.81	4.61	1.95	6.3	6.3	0.67	0.85	0.87	7.72	7.01	0.23	2.2	1.50	0.16	2.05	1.69	6.77
K†	2 1/2"	MM 62	64	57	41	62	-	14	15	14	85	75	2.3	41	35	1	18	21	-
		In. 2.44	2.52	2.24	1.61	2.44	-	0.55	0.51	0.55	3.35	2.95	0.09	1.61	1.38	0.04	0.71	0.83	-
E,G†	4"	MM 100	101	87	59	99	-	17.5	22	22	132	116	4.8	59	54.5	1	31	21	-
		In. 3.94	3.98	3.43	2.32	3.9	-	0.69	0.87	0.87	5.2	4.57	0.19	2.32	2.15	0.04	1.22	0.83	-
F,H†	6"	MM 160	162	118	76	160	-	19	21.5	22	196	178	5.8	76	72	2	BM	BM	-
		In. 6.3	6.38	4.65	2.99	6.3	-	0.75	0.85	0.87	7.72	7.01	0.23	2.99	2.83	0.08	-	-	-

† Solid Front - Blow-out Back Case
 CB Center-Back connection only
 BM Bottom Mount connection only

(1) 30, 60, 100 PSI range = 13.5 MM, (0.53 Inches)
 (2) 1/8" NPT = 45 MM (1.77 Inches)
 (3) 1/4" NPT = 110 MM (4.33 Inches)

(4) 1/4" NPT = 15 MM (0.59 Inches)
 (5) 1/4" NPT = 36 MM (1.42 Inches)
 (6) 1/8" NPT = 16.5 MM (0.65 Inches)

(7) 1/2" NPT = 43 MM (1.69 Inches)



McDaniel also makes gauges in other materials, in sizes and ranges to fit a wide variety of applications, and in many special configurations.

Ask your representative about McDaniel gauges with brass internals, gauges with Polyamid B cases, all brass gauges, test gauges, or other requirements.

DISTRIBUTED BY

P. O. Box 187, Luling, LA 70070 U.S.A. • 14148 Highway 90, Boutte, LA 70039 U.S.A.
 (985) 758-2782 • New Orleans (504) 467-1333 • Fax (985) 758-1688
 www.mcdanielcontrols.com

McDaniel Controls, Inc.



McDANIEL

Stainless Steel Case Utility Gauges

“For the price-conscious buyer . . .

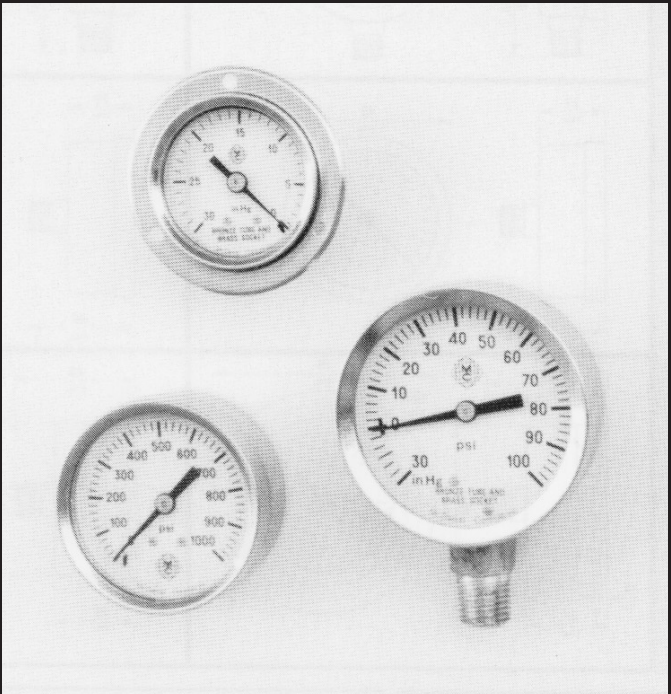
McDaniel designed its utility gauges for the price-conscious buyer and user who have an emphasis on maintaining quality and accuracy in a general purpose gauge.

Our utility line offers trusted McDaniel quality in an economical package. Special consideration given to rigorous McDaniel standards for durability, accuracy, and quality of construction.

Our Series 7: General purpose stainless steel case utility gauges with brass internals. Designed for applications with a corrosive atmosphere.

Standard features include a restrictor screw (removable) in the inlet port for pulsation dampening.

. . . and quality user.”



SPECIFICATIONS

Accuracy:

ASME B40.1 standard (Grade B) (3 - 2 - 3%)

Dial:

White enameled aluminum. Black figures.

Case:

304 Stainless steel.

Pointer:

Black enameled aluminum.

Lens:

Polycarbonate.

Precision Movement

Brass.

Bourdon Tube:

Copper alloy (C Form 600 PSI & below).

Phosphorous bronze (Spiral 800 PSI & above).

Temperature Utilization:

-4 + 176 degrees Fahrenheit.

-20 + 80 degrees Celsius.

Pressure Utilization:

Static: 75% maximum scale.

Dynamic: 66% maximum scale.

Stem and Socket:

Brass. Restrictor screw standard. (removable)

R7 = 1/8" NPT (1/4" NPT special order available)

T7 = 1/4" or 1/8" NPT available

J7 = 1/4" NPT (1/8" NPT special order available)

Dial Sizes / Ranges Available

1 1/2" - (R7) / Vac, Comp, Rec 3-15, up to 5,000 psi

2" - (T7) / Vac, Comp, Rec 3-15, up to 5,000 psi

2 1/2" - (J7) / Vac, Comp, Rec 3-15, up to 15,000 psi

Configurations Available:

Bottom connected standard

(L) = Center-back connected

(P) = Front flange, Center-back connected

McDaniel Controls, Inc.

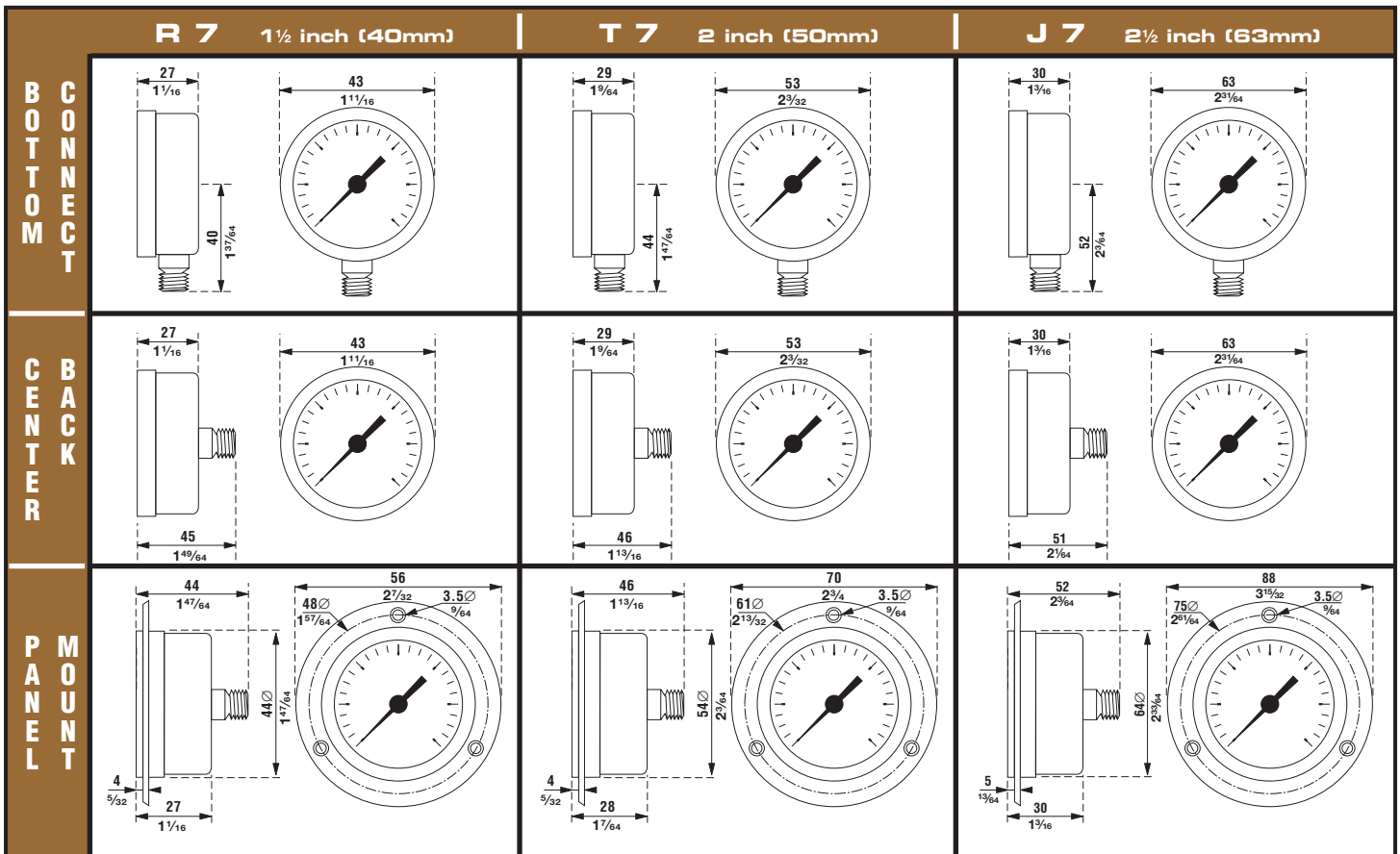
P. O. Box 187, Luling, LA 70070 • 14148 Highway 90, Boutte, LA 70039 U.S.A.

(985) 758-2782 • New Orleans (504) 467-1333 • Fax (985) 758-1688

www.mcdanielcontrols.com

DIMENSIONAL DATA

In millimeters (mm) and Inches (in.)



* See website for dimensional data and downloadable AutoCAD files: www.mcdanielcontrols.com

Range code	Range psi	Minor Increments
A	0 - 15	.5
B	0 - 30	1
C	0 - 60	1
D	0 - 100	2
E	0 - 160	5
F	0 - 200	5
G	0 - 300	10
H	0 - 400	10
I	0 - 600	20
J	0 - 800	20
K	0 - 1000	20
L	0 - 1500	50
M	0 - 2000	50
N	0 - 3000	100
4k	0 - 4000	100
O	0 - 5000	100
6k	0 - 6000	200
P	0 - 10000	200
Q	0 - 15000	500
VACUUM	VACUUM	VACUUM
S	VAC 30"Hg - 0	1
RECEIVER	RECEIVER	RECEIVER
T	REC 3 - 15"	2
COMPOUND	COMPOUND	COMPOUND
U	30"Hg + 15	1-0-2
V	30"Hg + 30	1-0-2
W	30"Hg + 60	2-0-5
X	30"Hg + 100	2-0-5
Y	30"Hg + 160	2-0-10
2k	30"Hg + 200	5-0-15
Z	30"Hg + 300	10-0-30

* Receiver gauge is dual scale.
(0 - 100% primary, 0 - 10 square root secondary)

McDaniel also makes gauges in other materials; in sizes and ranges to fit a wide variety of applications, and in many special configurations.

Ask your representative about McDaniel gauges with stainless steel or Monel® internals, all brass or all stainless steel gauges, test gauges, or other requirements.

© Monel is a registered trademark of INCO family of companies.

HOW TO ORDER

- 1 - Select the model number (**R7**, **T7**, or **J7**)
- 2 - Specify range code from list at left.
- 3 - Specify mounting code:
(Bottom connection is standard, no code)
"L" = (Center-back connection)
"P" = (Panel mount w/front flange, Center-back connection)
- 4 - Specify any other special configurations or options. (special NPT size, dual-scales, etc.)

Special Configuration Adder Codes

B = psi/Bar (dual scale) (nonstock)
K = psi/kPa (dual scale) (nonstock)
 1/8 = 1/8" NPT (use on T7 (stock), and J7 non stock)

Model

(Example: **R7DP**: "R7" = 1 1/2" (40mm) Dial - "D" = (0 - 100 psi range) - "P" = (Panel Mount)
T7E: "T7" = 2" (50mm) Dial - "E" = (0 - 160 psi range)
J72k: "J7" = 2 1/2" (63mm) Dial - "2k" = (30"Hg + 200 psi range)

Limited Warranty

McDaniel warrants our utility gauges to be free of defects in material and workmanship: Replacement of any defective gauge will be made at no cost to the purchaser. Gauge failures determined to be caused by over-range and incompatibility with environment/product media or abuse will not be considered under this warranty.

DISTRIBUTED BY:

It is recommended that users of pressure gauges become familiar with American National Standard ASME B40.1, entitled Gauges, Pressure and Vacuum - Indicating Dial Type - Elastic Element. This specification is available from:

American Society of Mechanical Engineers
 3 Park Avenue
 New York, New York 10016
 Phone: 212-591-7722